



Bathtub - CL.1

WATER FALL Cascade spout with PEARLSTREAM for wall-mounted installation - polished

Article number: 13 425 979-00



- 7/8" Projection
- Pearlstream
- Plate 9-1/2" x 2-3/8"
- Connection 1/2", can be cut to length
- Plug-in connection mounting
- Water flow rate limited to max. 2.5 gpm

Codes & Standards

- ASME A112.18.1/CSA B125.1

- Fittings group in compliance with DIN 4109: 2



polished chrome

Accessory is required for this item.

Discontinued items available to order until 31.12.9999



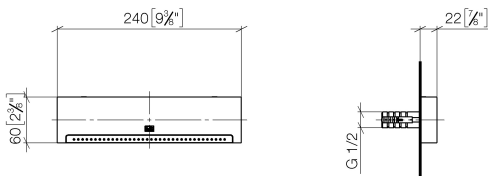
Bathtub - CL.1

WATER FALL Cascade spout with PEARLSTREAM for wall-mounted installation - polished

Article number: 13 425 979-00

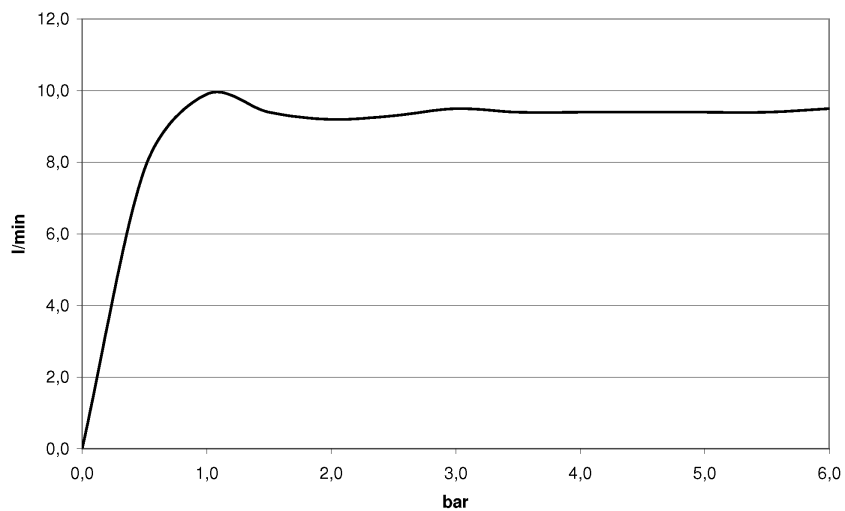
Dimensional drawing

mm [inches]



All dimensions in mm / inch = mm x 0,0394

Flow rate chart





Bathtub - CL.1

WATER FALL Cascade spout with PEARLSTREAM for wall-mounted installation - polished

Article number: 13 425 979-00

Object surface finish diagram



platinum matte

13 425 979-06



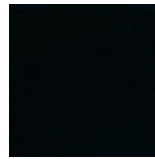
platinum

13 425 979-08



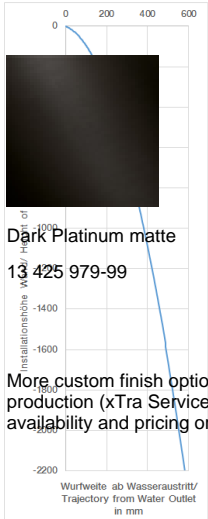
Brushed Durabronz

13 425 979-28



black matte

13 425 979-33



More custom finish options are available via special production (xTra Service). Please see our finish matrix for availability and pricing or contact a Dornbracht representative.



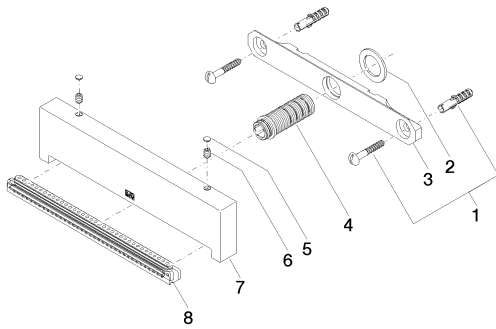
35 080 970-90 0010

Rough-in adapter -

Bathtub - CL.1

WATER FALL Cascade spout with PEARLSTREAM for wall-mounted installation - polished

Article number: 13 425 979-00



Spare parts list

Number	Item Number	Designation	Number of units
1	04 30 31 024 01 90	fixing set	1
2	09 14 05 009 90	seal	1
3	09 17 97 053 90	holder	1
4	90 24 03 199 00 90	connection	1
5	90 31 20 087 00-00	plug	1
6	09 31 11 144 90	pin	2
7	09 17 01 185 20-00	spout	1
8	90 29 03 071 00 90	insert	1